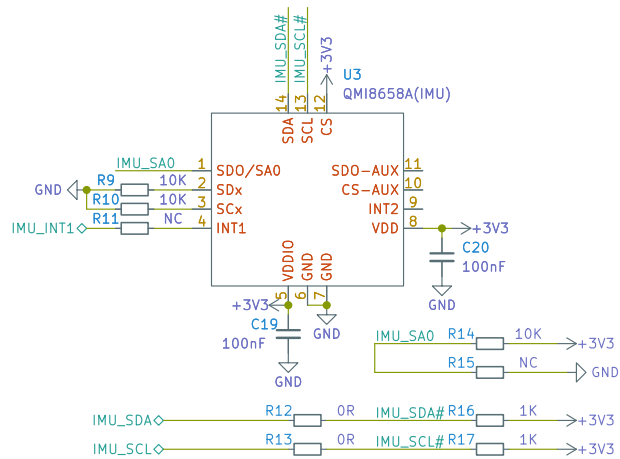


Sheet: /
File: M0Sense_30215.kicad_sch

Title:		Rev:	
Size: A4	Date:		
KiCad E.D.A. kicad (6.0.8)		Id: 1/6	



Sheet: /IMU/
File: IMU.kicad_sch

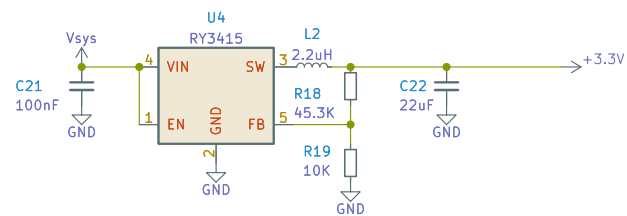
Title:

Size: A4
KiCad E.D.A. kicad (6.0.8)

Date:

Rev:

Id: 2/6



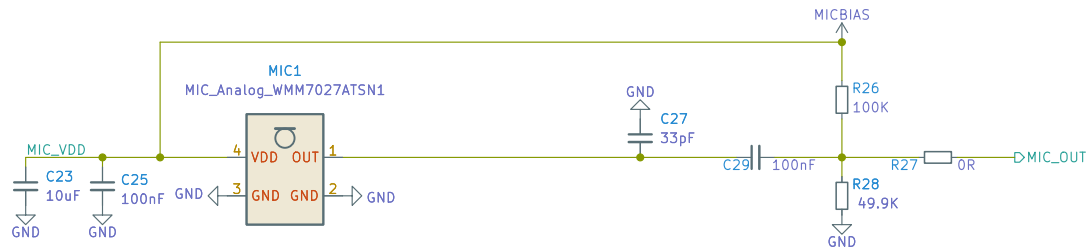
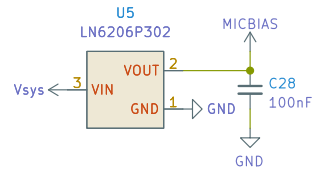
Sheet: /POWER/
File: POWER.kicad_sch

Title:

Size: A4
KiCad E.D.A. kicad (6.0.8)

Date:

Rev:
Id: 3/6



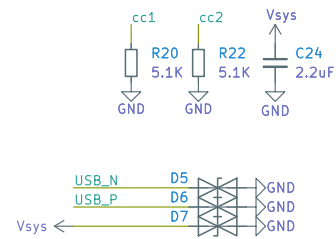
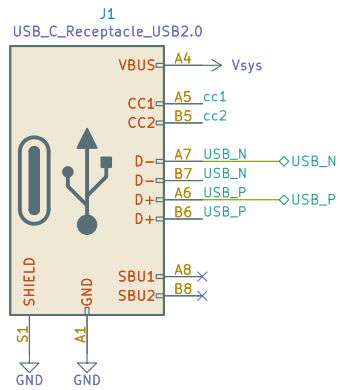
Sheet: /MIC/
File: MIC.kicad_sch

Title:

Size: A4
KiCad E.D.A. kicad (6.0.8)

Date:

Rev:
Id: 4/6

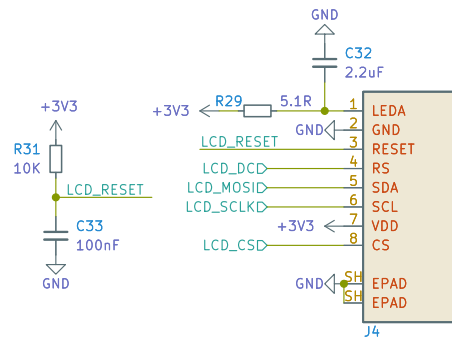


Sheet: /USB/
File: USB.kicad_sch

Title:

Size: A4 Date:
KiCad E.D.A. kicad (6.0.8)

Rev:
Id: 5/6



J4
FPC-8P-0.5MM-H1.0MM(亚奇OK-F50108325)



Sheet: /Display/
File: Display.kicad_sch

Title:

Size: A4
KiCad E.D.A. kicad (6.0.8)

Date:

Rev:
Id: 6/6